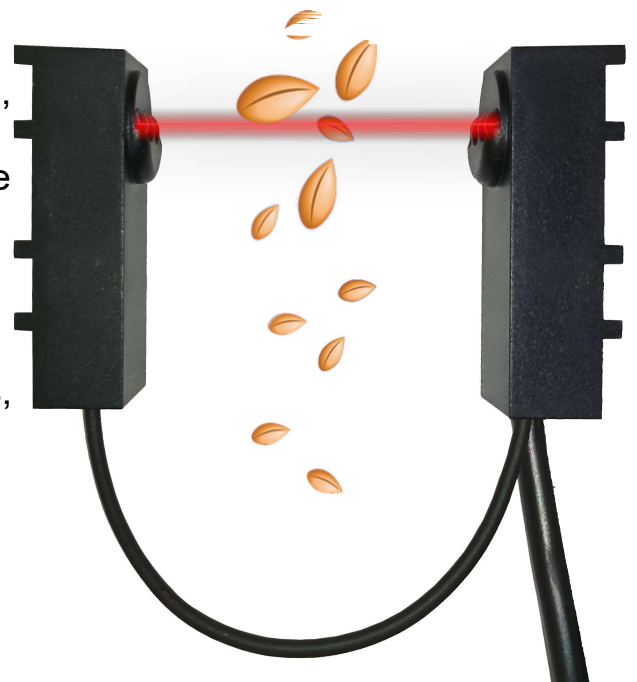


AgroPilot

<https://AgroPilot.App>, info@AgroPilot.App

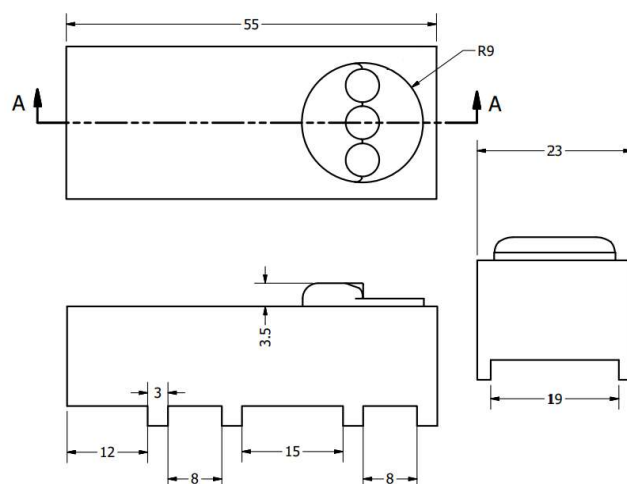
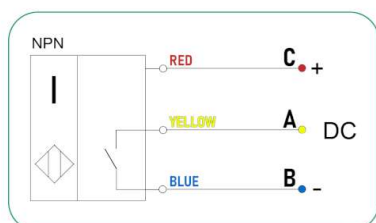
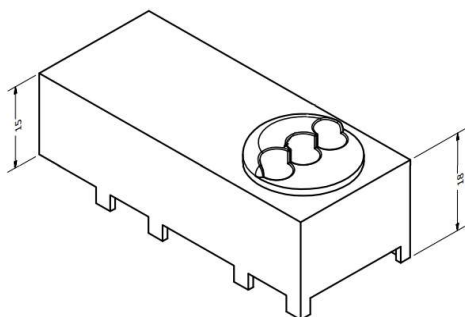
Infrared seed sensor «AgroPilot IR940»

The IR940 infrared seed rate sensor is a cost-effective solution for counting small, medium, and large types of seeds. It measures the number of seeds and provides the operator with confidence that seeds are being sown. The seed monitoring sensor is versatile, capable of counting up to 400 seeds per second with an accuracy of up to 98%, depending on the application. Examples include corn, soybeans, sunflowers, sorghum, sugar beets, and edible beans.



Specifications:

- Compatible with most planter monitors.
- Type: NPN (normally open contact).
- Storage temperature: -55°C to 105°C.
- Operating temperature: 0°C to 85°C.
- Humidity: 0–95%.
- Supply voltage range: 7 to 24 V DC.



Using optical technology, IR940 seed sensors operate on the principle of photodetection. Infrared LEDs create a narrow light field across the inner part of the seed tube. A photodetector on the opposite side of the tube continuously monitors light intensity. Any seed interrupting the light source is detected by the photodetector, and a corresponding pulse is sent to the monitor. The sensor comes equipped with three infrared LEDs to ensure accurate seeding rates.

SEED SENSOR IR940

