

AgroPilot

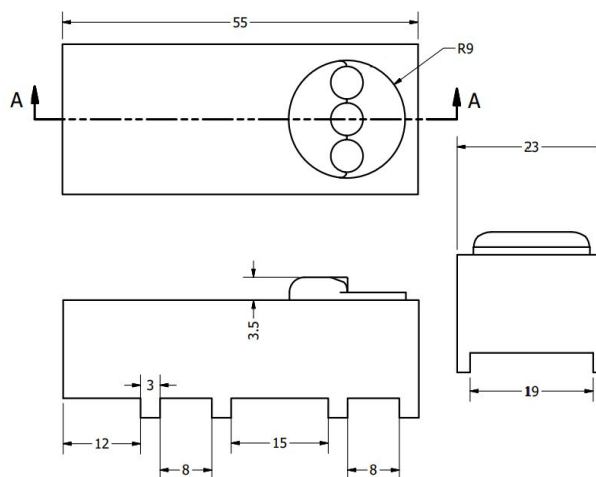
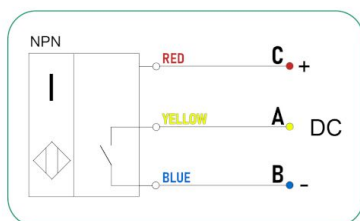
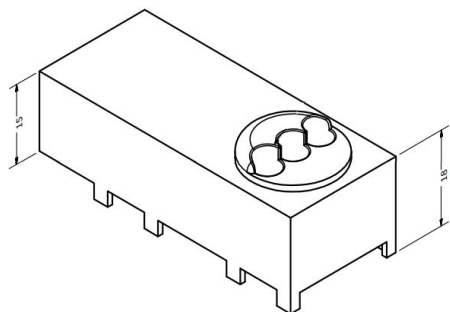
Infrared seed sensor «AgroPilot IR940»

The AgroPilot IR940 seed rate sensor is an economical solution for counting small, medium, and large seeds. You can use it with any seed monitoring systems that work with pulse sensors, in seeders where the sensor can be installed in the seed tube or opener, regardless of the type: vegetable seeders, row-crop seeders, grain seeders, combination seeders, lawn and grass seeders, precision seeding machines, or special seeders. It measures the amount of seed and gives the operator confidence that the seeds are being planted. The IR940 automatically adapts to the operating conditions, ignores vibrations, and reacts instantly to any seed size. Its response speed allows it to count up to 400 seeds per second with an accuracy of 98%, enabling the system to account for not only individual seeds but also doubles.



Specifications:

- Compatible with most seeder monitors
- NPN type (normally open contact)
- Storage temperature from -40°C to 85°C
- Operating temperature from 0°C to 70°C
- Humidity from 0 to 95%
- Power supply voltage range from 7 to 24 volts DC
- Current consumption: 50 mA



Using optical technology, the AgroPilot IR940 seed sensors operate on the principle of photodetection. The sensor is equipped with three infrared LEDs to ensure accurate seeding speed. The infrared LEDs (LEDs) create a fine light field along the entire inner part of the seed tube. A photodetector on the opposite side of the tube continuously monitors the light intensity. Any seed that interrupts the light source is detected by the photodetector, and the corresponding pulse is sent to the monitor. On our website <https://AgroPilot.App>, you can order sensors with any type of connector and contact configuration.

